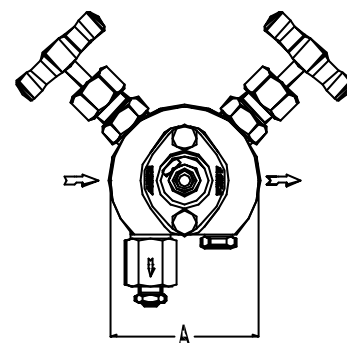
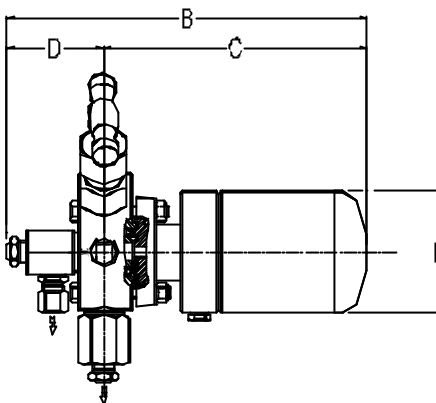


UNIADCA COMPACT TRAPPING STATIONS PLUS STEAM TRAPS Dimensions and weights

CTS 40 plus FS 32

DIMENSIONS (mm)

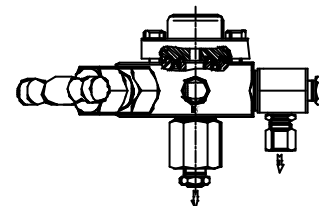
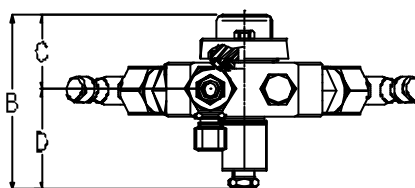
Screwed Ends						
SIZE	A	B	C	D	E	WEIGHT
DN						Kg
1/2"	110	270	195	75	90	6,6
3/4"	110	270	195	75	90	6,6
1"	110	278	199	79	90	7,2



CTS 40 plus TS 22

DIMENSIONS (mm)

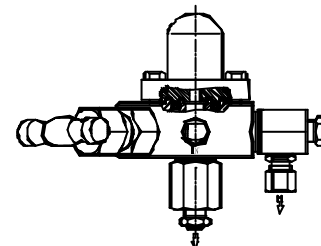
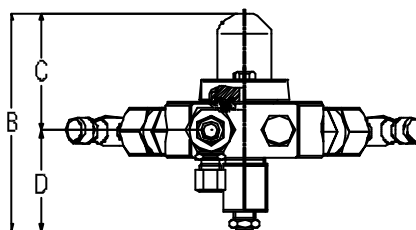
Screwed Ends						
SIZE	A	B	C	D	WEIGHT	
DN						Kg
1/2"	110	130	55	75	4,3	
3/4"	110	130	55	75	4,3	
1"	110	138	59	79	4,9	



CTS 40 plus BS 22

DIMENSIONS (mm)

Screwed Ends						
SIZE	A	B	C	D	WEIGHT	
DN						Kg
1/2"	110	160	85	75	4,5	
3/4"	110	160	85	75	4,5	
1"	110	168	89	79	5,1	



CTS 40 plus BSR 22

DIMENSIONS (mm)

Screwed Ends						
SIZE	A	B	C	D	WEIGHT	
DN						Kg
1/2"	110	200	125	75	4,7	
3/4"	110	200	125	75	4,7	
1"	110	208	129	79	5,3	

