

INVERTED BUCKET STEAM TRAPS IB 30S

DESCRIPTION

IB 30S series inverted bucket steam traps are recommended for all services where the most important requirements are overall operating efficiency and long, trouble-free service life.

They operate intermittently, either wide open or tightly closed and are therefore best suited for service at medium and high steam pressures. Connections are female screwed or flanged .

MAIN FEATURES

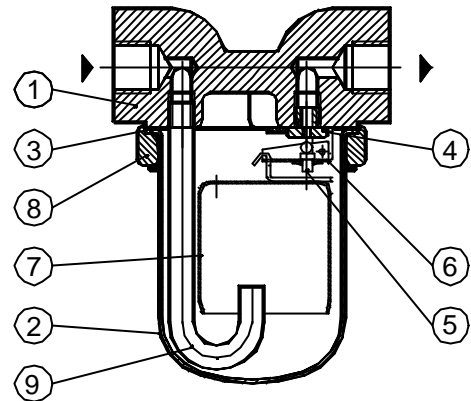
Intermittent discharge.
Discharges condensate at steam temperature.
Unaffected by waterhammer and vibrations.
Easy to maintain.

USE : Saturated and superheated steam.
AVAILABLE
MODELS : IB30-4 ; IB30-8 ; IB30-12;IB30-17;IB30-27.
SIZES : 1/2" to 1" - DN 15 to DN 25.
CONNECTIONS : Female screwed ISO 7/1 Rp (BS21)
Flanged DIN.Special flanges upon request.
INSTALLATION : Horizontal installation.
See IMI, installation and maintenance instructions.

MAX.D.PRESS.: IB30- 4 - 4 bar
IB30- 8 - 8 bar
IB30-12 -12 bar
IB30-17 -17 bar
IB30-27 -27 bar

PMA :Max.allowable pressure 40 bar
TMA: Max.allowable temperature 425 °C
PMO: Max.operating pressure 27 bar
TMO: Max.operating temperature 380 °C

How to order : i.e. IB30S-8 DN 3/4" BSP



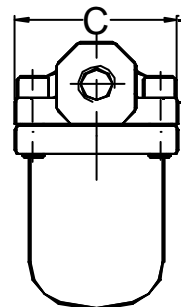
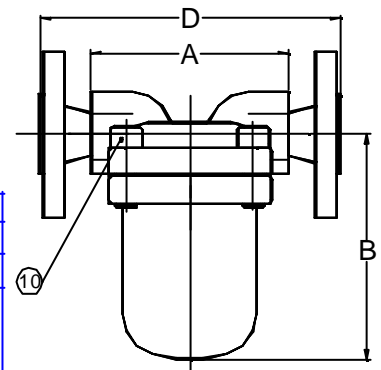
MATERIALS:

POS.NR.	DESIGNATION	MATERIAL
1	BODY	C 22.8
2	COVER	AISI 304
3 *	GASKET	NON ASBESTOS
4 *	SEAT	AISI 410
5 *	VALVE	AISI 410
6 *	LEVER	AISI 304
7 *	BUCKET	AISI 304
8	FLANGE	C 22.8
9	INLET TUBE	AISI 304
10	BOLTS	STEEL 8.8

* AVAILABLE SPARE PARTS

DIMENSIONS (mm)

SIZE	Screwed Ends				DIN Flanges	
	A	B	C	WEIGHT	D	WEIGHT
DN				Kg		Kg
1/2"	110	125	92	2,3	170	3,8
3/4"	110	125	92	2,3	170	4,3
1"	110	125	92	2,3	180	4,9



FLOW RATE CAPACITY IN Kg/h

MODEL	SIZE	DIFFERENTIAL PRESSURE (bar)																	
		1	2	3	4	5	6	7	8	10	11	12	14	17	20	22	24	27	
IB 30-4	1/2"-1"	280	390	470	530														
IB 30-8	1/2"-1"	190	260	320	360	400	430	460	500										
IB 30-12	1/2"-1"	160	220	260	290	320	360	370	400	440	480	490							
IB 30-17	1/2"-1"	140	180	200	215	225	235	240	250	265	270	275	280	400					
IB 30-27	1/2"-1"	80	100	115	120	125	132	137	140	150	153	155	158	233	240	245	250	255	

Recommended safety factor: continuous service = 1.2 - 1.5 ; discontinuous service = 2-3.