

## THERMOSTATIC STEAM TRAPS AND AIR ELIMINATORS TH 32 Y

### DESCRIPTION

The TH 32Y series thermostatic steam traps and air eliminators are specifically designed for use on process equipment such as kettle cookers, sterilizers, food, chemical and laundry equipment.

Connections are female screwed or flanged.

### MAIN FEATURES

Modulating discharge.

Discharges condensate close to steam temperature.

Thermostats for different subcooling (5°K to 30°K).

Excellent air discharge .

Operates on moderate superheated steam.

Built-in strainer.

OPTIONS: LC-low capacity

USE : Saturated steam.

AVAILABLE TH 32 Y

MODELS : TH 32Y/LC

SIZES : 1/2", 3/4" and 1" - DN15, DN20 and DN25.

CONNECTIONS : Female screwed ISO 7/1 Rp (BS21)  
Flanged DIN. Special flanges upon request.

INSTALLATION : Horizontal or vertical installation .

See IMI, installation and maintenance instructions.

PMA : Max. allowable pressure 32 bar

TMA : Max. allowable temperature 300 °C

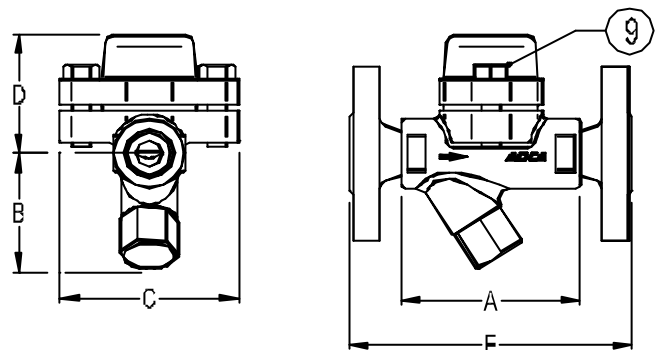
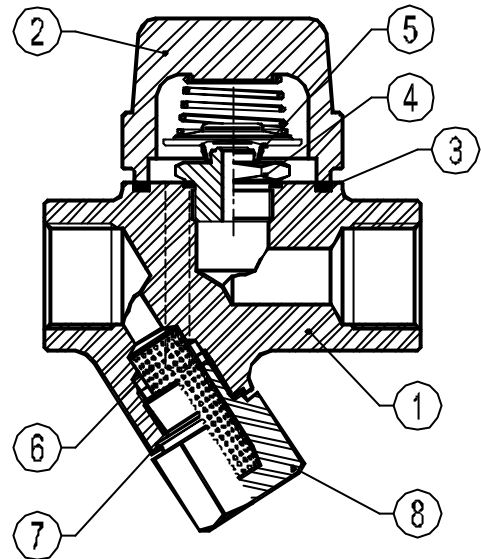
PMO : Max. operating pressure 22 bar

TMO : Max. operating temperature 250 °C

### MATERIALS

POS.NR.	DESIGNATION	MATERIAL
1	BODY	C 22.8(Eq.A105)
2	COVER	C 22.8(Eq.A105)
3*	GASKET	GRAPHITE
4*	SEAT	STAINLESS STEEL
5*	THERMOSTATIC ELEMENT	STAINLESS STEEL
6*	STRAINER SCREEN	STAINLESS STEEL
7*	GASKET	COPPER
8	PLUG	C 22.8(Eq.A105)
9	BOLTS	STEEL 8.8

\* AVAILABLE SPARE PARTS



### DIMENSIONS (mm)

SIZE	SCREWED ENDS				WEIGHT	DIN FLANGES	
	A	B	C	D		E	WEIGHT
DN					Kg		Kg
1/2"	95	65	95	65	1.6	150	3.2
3/4"	95	65	95	65	1.6	150	3.3
1"	95	65	95	65	1.8	160	4.7

### FLOW RATE CAPACITY IN Kg/h

MODEL	SIZE	DIFFERENTIAL PRESSURE (bar)														
		0.2	0.3	0.5	1	1.5	2	3	4	6	8	10	13	15	20	22
TH32Y	1/2" - 1"	70	120	140	255	330	385	455	510	600	670	700	720	750	775	795
TH32YLC	1/2" - 1"	45	55	70	95	125	135	180	200	270	315	330	360	370	405	415

Capacities shown refer to condensate at 10°C below saturated steam temperature (standard type-S thermostat) .

Thermostats for 5° C type-H and 30° type-L, also available.

Capacities for cold condensate discharge at 20°C are two to three times greater .

Recommended Safety factor = 1.2 - 1.5 ; How to order : i.e. TH 32 Y DN 1/2" BSP