

THERMOSTATIC STEAM TRAPS AND AIR ELIMINATORS TH 21 / 2 SS (Stainless Steel)

DESCRIPTION

The TH 21/2SS series thermostatic steam traps and air eliminators are specifically designed for use on process equipment such as kettle cookers, sterilizers, food, chemical and laundry equipment.

Connections are female screwed or flanged.

MAIN FEATURES

- Modulating discharge.
- Discharges condensate close to steam temperature.
- Thermostats for different subcooling (5°K to 30°K).
- Excellent air discharge .
- Operates on moderate superheated steam.
- Built-in strainer.

OPTIONS: Tri clamp connections

USE : Saturated steam.

AVAILABLE

MODELS : TH 21/2 SS - Stainless steel

SIZES : DN - 1" ; DN 25

CONNECTIONS : Female screwed ISO 7/1 Rp (BS21)
Flanged DIN. Special flanges upon request.

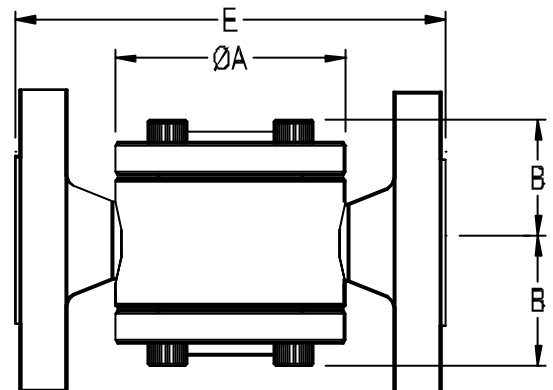
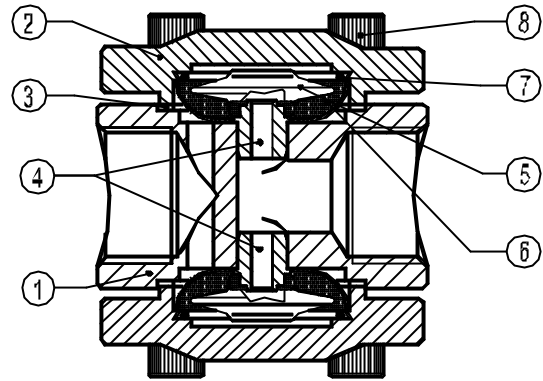
INSTALLATION : Horizontal or vertical installation .
See IMI, installation and maintenance instructions.

PMA : Max. allowable pressure 21 bar
TMA : Max. allowable temperature 300 °C
PMO : Max. operating pressure 21 bar
TMO : Max. operating temperature 250 °C

MATERIALS

POS.NR.	DESIGNATION	MATERIAL
1	BODY	STAINLESS STEEL
2	COVER	STAINLESS STEEL
3*	GASKET	GRAPHITE
4*	SEAT	STAINLESS STEEL
5*	THERMOSTATIC ELEMENT	STAINLESS STEEL
6*	STRAINER SCREEN	STAINLESS STEEL
7*	SPRING	STAINLESS STEEL
8	BOLTS	STAINLESS STEEL

* AVAILABLE SPARE PARTS



TH 21 / 2 - DIMENSIONS (mm)

SIZE	SCREWED ENDS		WEIGHT	DIN FLANGES	
	A	B		E	WEIGHT
DN			Kg		Kg
1"	80	40	2,5	160	5,6

FLOW RATE CAPACITY IN Kg/h

MODEL	SIZE	DIFFERENTIAL PRESSURE (bar)														
		0.2	0.3	0.5	1	1.5	2	3	4	6	8	10	13	15	20	22
TH 21/2	1"	140	240	280	510	660	770	910	1020	1200	1340	1400	1440	1500	1550	1590

Capacities shown refer to condensate at 10°C below saturated steam temperature (standard type-S thermostat) .
Thermostats for 5° C type-H and 30° type-L, also available.

Capacities for cold condensate discharge at 20°C are two to three times greater .

Recommended Safety factor = 1.2 - 1.5 ; How to order : i.e. TH 21/2 DN 1" BSP