

THERMOSTATIC STEAM TRAPS AND AIR ELIMINATORS

TH 35 / 3 (DN 1" - DN 25)

DESCRIPTION

The TH 35 series thermostatic steam traps and air eliminators are specifically designed for use on process equipment such as kettle cookers, sterilizers, food, chemical and laundry equipment.

Connections are female screwed or flanged.

MAIN FEATURES

- Modulating discharge.
- Discharges condensate close to steam temperature.
- Thermostats for different subcooling (5°K to 30°K).
- Excellent air discharge .
- Operates on moderate superheated steam.

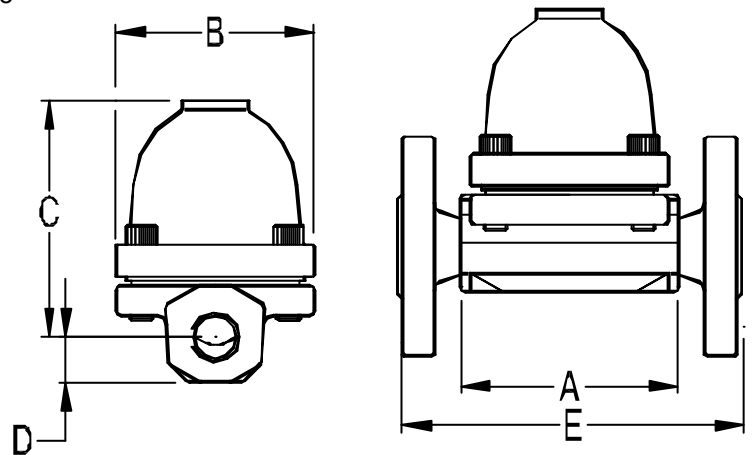
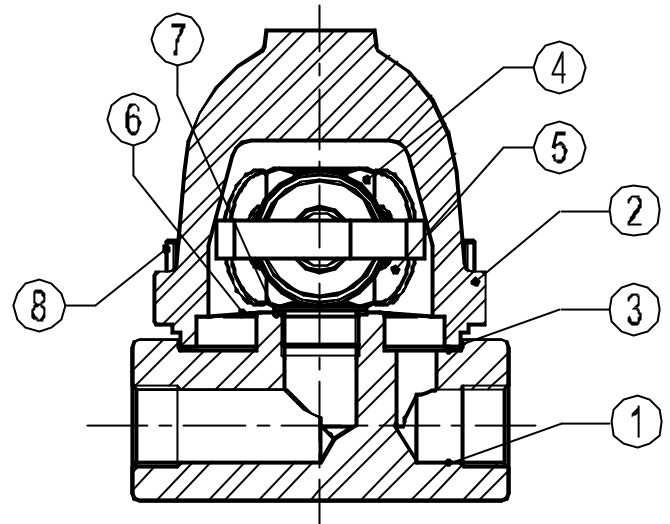
- OPTIONS: Stainless steel construction
 USE : Saturated steam.
 AVAILABLE
 MODELS : TH 35 / 3 (3 capsules).
 SIZES : DN 25
 CONNECTIONS : Flanged DIN.Special flanges upon request.
 INSTALLATION : Horizontal or vertical installation .
 See IMI, installation and maintenance instructions.

- PMA : Max.allowable pressure 32 bar
 TMA : Max.allowable temperature 300 °C
 PMO : Max.operating pressure 22 bar
 TMO: Max.operating temperature 250 °C

MATERIALS

POS.NR.	DESIGNATION	MATERIAL
1	BODY	C 22.8
2	COVER	C 22.8
3*	GASKET	GRAPHITE
4*	SEAT	STAINLESS STEEL
5*	CAPSULES (3)	STAINLESS STEEL
6*	STRAINER	STAINLESS STEEL
7	GASKET	COPPER
8	BOLTS	STEEL 8.8

* AVAILABLE SPARE PARTS



FLOW RATE CAPACITY IN Kg/h

MODEL	SIZE	DIFFERENTIAL PRESSURE (bar)						
		0.5	1	2	5	10	15	22
TH35 / 3	25	420	765	1155	1700	2100	2250	2380

TH 35 / 3 - DIMENSIONS (mm)

SIZE	SCREWED ENDS				DIN FLANGES	
	A	B	C	D	WEIGHT	E WEIGHT
DN					Kg	Kg
1"	95	98	103	20	2,8	160

Capacities shown refer to condensate at 10°C below saturated steam temperature (standard type-S thermostat) . Thermostats for 5° C type-H and 30° type-L, also available.
 Capacities for cold condensate discharge at 20°C are two to three times greater.

CE Marking :This product have been designed for use on water and steam wich are in Group 2 of the PED - European Pressure Equipment Directive 97/23/EC and it comply with those requirements.All the sizes fall within category SEP. The product can not carry CE mark.