

## THERMOSTATIC STEAM TRAPS AND AIR ELIMINATORS TH 35 / 4 ( DN 40 - DN 50 )

### DESCRIPTION

The TH 35 series thermostatic steam traps and air eliminators are specifically designed for use on process equipment such as kettle cookers, sterilizers, food, chemical and laundry equipment.

Connections are female screwed or flanged.

### MAIN FEATURES

- Modulating discharge.
- Discharges condensate close to steam temperature.
- Thermostats for different subcooling (5°K to 30°K).
- Excellent air discharge .
- Operates on moderate superheated steam.

- OPTIONS:            LC-low capacity  
                          Built-in strainer.
- USE :                 Saturated steam.

### AVAILABLE

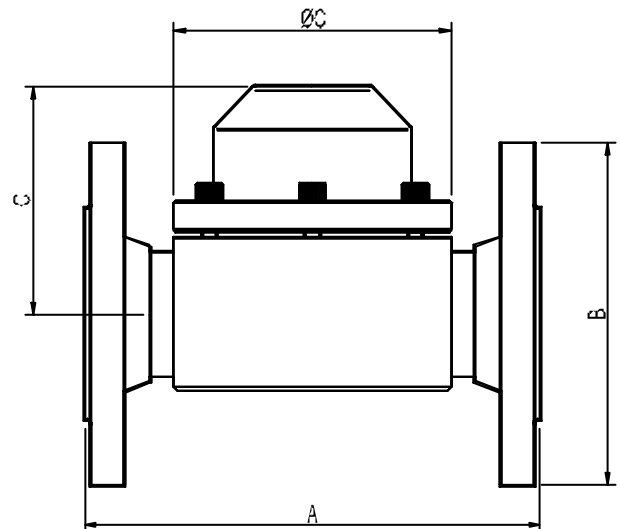
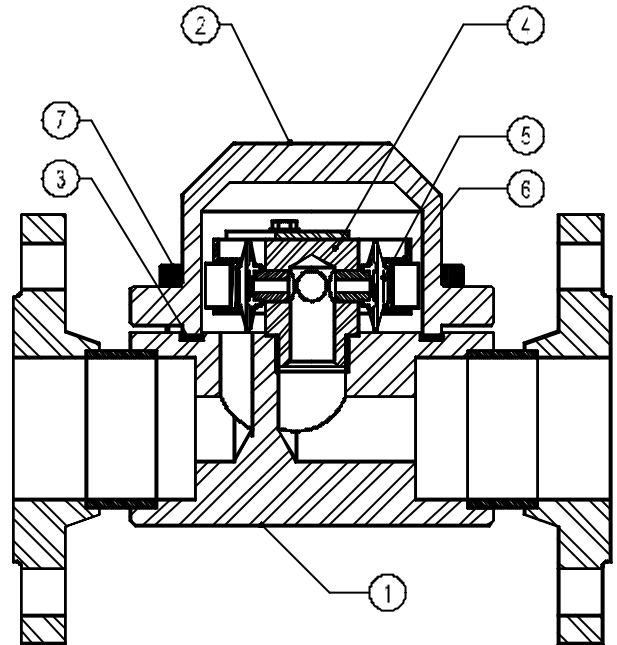
- MODELS :            TH 35 / 4 ( 4 capsules ).
- SIZES :                DN 40 and DN 50.
- CONNECTIONS :    Flanged DIN.Special flanges upon request.
- INSTALLATION :    Horizontal or vertical installation .  
                              See IMI, installation and maintenance instructions.

- PMA : Max.allowable pressure            32 bar
- TMA : Max.allowable temperature        300 °C
- PMO : Max.operating pressure            22 bar
- TMO : Max.operating temperature        250 °C

### MATERIALS

POS.NR.	DESIGNATION	MATERIAL
1	BODY	C 22.8 ; ST52.3
2	COVER	ST52.3
3*	GASKET	GRAPHITE
4*	SEAT	STAINLESS STEEL
5*	CAPSULES (4)	STAINLESS STEEL
6*	SPRINGS	STAINLESS STEEL
7	BOLTS	STEEL 8.8

\* AVAILABLE SPARE PARTS



### FLOW RATE CAPACITY IN Kg/h

MODEL	SIZE	DIFFERENTIAL PRESSURE (bar)						
		0.5	1	2	5	10	15	22
TH35 / 4	40- 50	420	760	1300	2250	2900	3200	3350

### DIMENSIONS (mm)

SIZE	A	B	C	ØC	WEIGHT
DN	Kg				
40	230	150	101	140	11
50	230	165	108	140	12.5

Capacities shown refer to condensate at 10°C below saturated steam temperature (standard type-S thermostats) . Thermostats for 5° C type-H and 30° type-L, also available.  
Capacities for cold condensate discharge at 20°C are two to three times greater.

**CE Marking** :This product have been designed for use on water and steam wich are in Group 2 of the PED - European Pressure Equipment Directive 97/23/EC and it comply with those requirements.All the sizes fall within category 1. The product carry the CE mark .