

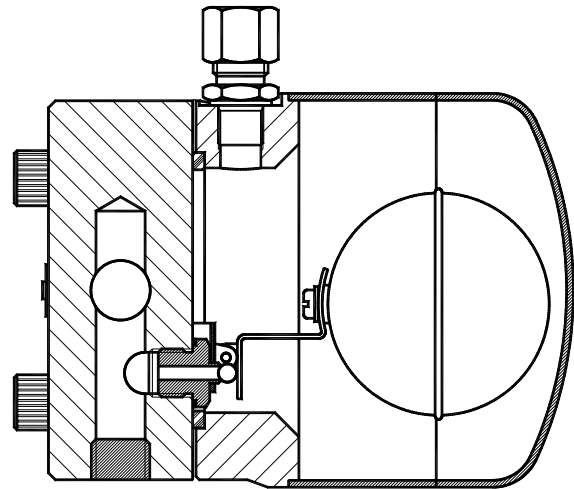
## COMPRESSED AIR BALL FLOAT TRAPS FA 20 SS ( Stainless Steel )

### DESCRIPTION

FA20SS series compressed air float traps are specially design for draining water from high pressure compressed air and gas lines. Applications on aftercoolers, separators and compressed air and gas mains. An air balance pipe must be fitted allowing the air trapped in the trap body to escape, avoiding obstructing of condensate flow. Connections are female screwed.

### MAIN FEATURES

Modulating discharge.  
Unaffected by sudden or wide load and pressure changes .



- OPTIONS:** Internal strainer (only on horizontal models).  
Equalizing and drain plug on body .  
Lifting lever.
- USE:** Compressed air and non corrosive gas compatible with the construction.
- AVAILABLE MODELS:** FA 20SS-21.
- SIZES:** 1/2" - 1" , DN 15 - DN 25.
- CONNECTIONS:** Female screwed ISO 7/1Rp(BS21)  
Flanged DIN.Special flanges upon request.
- INSTALLATION:** Horizontal or vertical installation .

How to order: i.e. FA 20SS-21 DN 1/2" BSP

PMA:Max.allowable pressure	25 bar
TMA:Max.allowable temperature	400 °C
PMO:Max.operating pressure	21 bar
TMO:Max.operating temperature	200 °C

### FLOW RATE CAPACITY IN Kg/h

MODEL	SIZE	DIFFERENTIAL PRESSURE (bar)														
		0.5	1	1,5	2	3	4,5	6	7	8	9	10	12	14	16	21
FA20-21	1/2"- 1"	75	100	125	155	180	220	255	275	290	305	320	345	375	420	480

**APPLICATION LIMITS**  
Max.differential pressure  
FA 20-21 - 21 bar

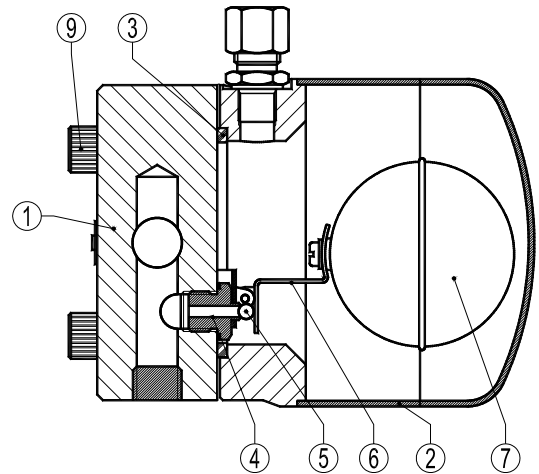
**MATERIALS:**

POS.NR.	DESIGNATION	MATERIAL
1	BODY	ST.STEEL
2	COVER	ST.STEEL
3 *	GASKET	NON ASBESTOS
4 *	SEAT	STAINLESS STEEL
5 *	VALVE	VITON
6 *	LEVER	AISI 304
7 *	FLOAT	AISI 304
9	BOLTS	ST.STEEL

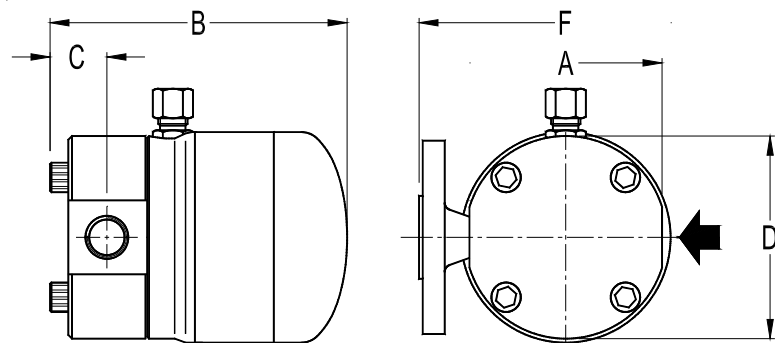
\* AVAILABLE SPARE PARTS

**Optionals :**

1/4" x 8mm compression fitting



DIMENSIONS (mm)						
	Screwed Ends				DIN Flanges	
SIZE	A	B	C	D	WEIGHT	F WEIGHT
DN					Kg	Kg
1/2"	107	162	31	115	---	160 --
3/4"	107	162	31	115	---	160 --
1"	107	162	31	115	---	160 --


**EXAMPLES OF INSTALATION**
