

## VACUUM BREAKER VB 21

### DESCRIPTION

The VB 21 vacuum breakers are simple and reliable devices that automatically relieve or “break” an unwanted vacuum condition, restoring the atmospheric pressure .

This device is particularly suitable for steam heated units of small and medium volume as heat exchangers, heating coils, calorifiers, jacketed kettles, steam boilers, etc.

Connections are female screwed.

USE: Saturated and superheated steam.

### AVAILABLE

MODELS: VB 21

SIZES: 1/2”.

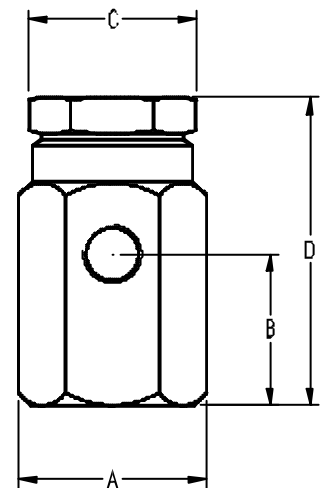
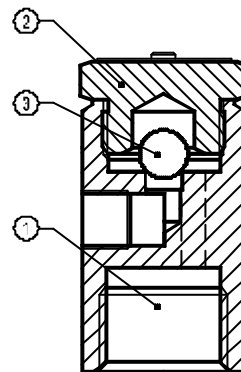
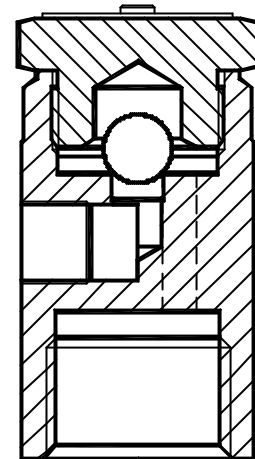
CONNECTIONS: Inlet 1/2” vertical  
Outlet 1/8” horizontal  
Female screwed ISO 7/1 Rp (BS21)

INSTALLATION: Vertical installation angled connection.  
See IMI, installation and maintenance instructions.

PMO: Max. operating pressure 21 bar

TMO: Max. operating temperature 250 °C

How to order: i.e. VB 21 DN 1/2” BSP



### MATERIALS

| POS. NR | DESIGNATION | MATERIAL        |
|---------|-------------|-----------------|
| 1       | BODY        | AISI 304        |
| 2       | COVER       | AISI 304        |
| 3 *     | BALL VALVE  | STAINLESS STEEL |

\* AVAILABLE SPARE PARTS

| DIMENSIONS (mm) |    |    |    |    |        |
|-----------------|----|----|----|----|--------|
| SIZE            | A  | B  | C  | D  | WEIGHT |
| DN              |    |    |    |    | Kg     |
| 1/2”            | 32 | 26 | 26 | 52 | 0,17   |