

DOUBLE WINDOW STAINLESS STEEL SIGHT GLASS DW 16 SS

DESCRIPTION

For monitoring the right operation of a steam trap to avoid leakage of live steam and consequently big energy losses, a sight glass is recommended to be installed downstream the steam trap. Double window DW sight glass, has been designed for this particular application.

Connections are female screwed or flanged .

OPTIONS: Different glasses and design on request.

USE: Condensate pipes downstream steam traps.

AVAILABLE MODELS: DW 16 SS - double window borosilicate glass.

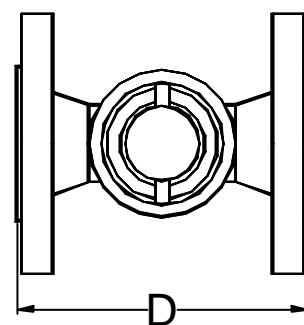
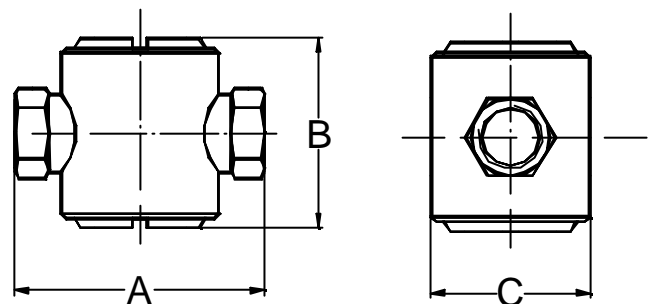
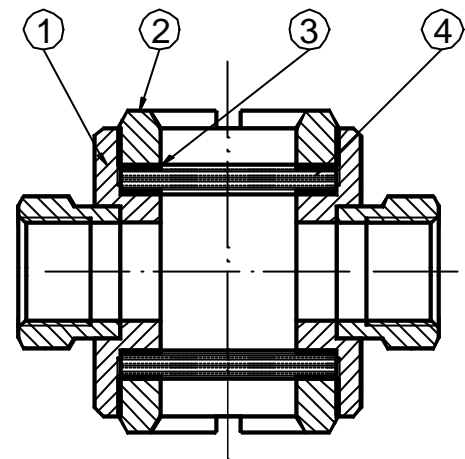
SIZES: 1/2" to DN 1" - DN15 to DN25.
1 1/2" and 2" on request.

CONNECTIONS: Female screwed ISO 7/1Rp(BS21).
NPT (ANSI B1.20.1).
Flanged DIN or ANSI (welded flanges).
Special flanges upon request.

INSTALLATION: Horizontal or vertical installation .
See IMI installation and maintenance instructions.

PMO:Max.operating pressure 16 bar
TMO:Max.operating temperature 300 °C

How to order: i.e.DW 16 SS DN 1/2" BSP



DIMENSIONS (mm)

SIZE	SCREWED ENDS				DIN FLANGES	
	A	B	C	WEIGHT	D	WEIGHT
DN				Kg		Kg
1/2"	103	80	65	1.3	130	2.4
3/4"	103	80	65	1.3	130	3.4
1"	100	90	65	1.9	130	4,5

Different face-to-face dimensions on the flanged version , under request.

MATERIALS

POS. NR	DESIGNATION	MATERIAL
1	BODY	AISI 304
2	COVER	BRASS (Nickel Pl.)
3 *	GASKET	NON ASBESTOS
4 *	GLASS	BOROSILICATE

* AVAILABLE SPARE PARTS