

SEPARATORS S 16S

DESCRIPTION

S-16 series centrifugal separators remove moisture from steam and compressed air pipelines. Steam and compressed air passing through the separator and as a result of centrifugal forces, impact and swirling effects, separate the particles with a heavier specific gravity, such as water and oil droplets, moisture in suspension, dirt and scale.

The condensate collected at the bottom of the separator, must be automatically drained by a suitable steam or compressed air trap.

Connections are female screwed .

MAIN FEATURES

Several possibilities of installation.

No moving parts.

OPTIONS: Air vent or equalizing socket on top.
USE: Steam, compressed air and other gases (Group 2).

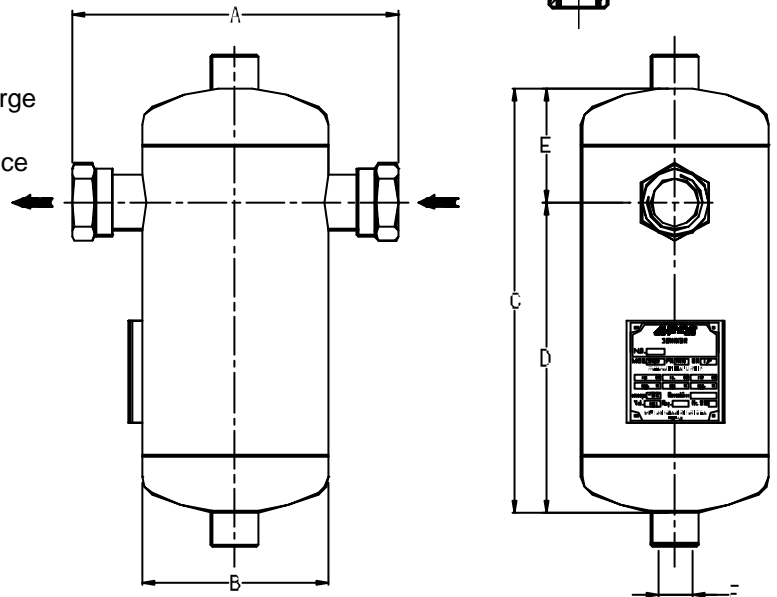
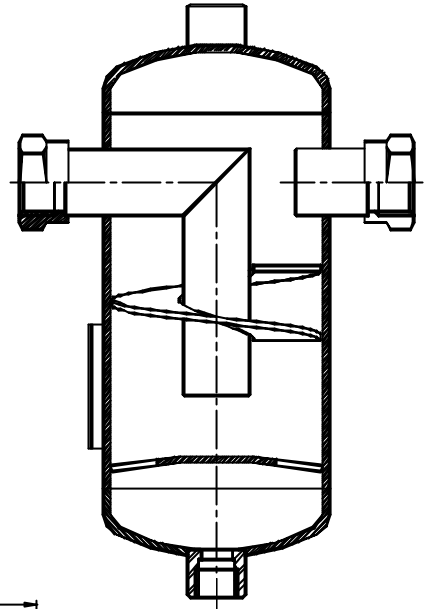
AVAILABLE

MODELS: S16/S - carbon steel body.

SIZES: Screwed: DN 1/2" to DN 1"

CONNECTIONS: Female screwed ISO 7/1Rp(BS21)
ANSI B1.20.1 (NPT)

INSTALLATION: Always with the condensate discharge pointing downwards.
See IMI, installation and maintenance instructions.



GROUP 2 GASES CATEGORIES

RATING	SIZES DN	Category
DIN PN 16	1/2" - 1"	SEP

CE Marking :

This product have been designed for use on water, steam, air and other gases wich are in Group 2 of the PED-European Pressure Equipment Directive 97/23/EC and it comply with those requirements. The product carry the CE mark when falling in category 1 and above.

LIMITING CONDITIONS

	PRESS. bar	TEMP. °C
DIN PN16	16	120
	a) 14	198
	13	250

a) PMO - Maximum operating pressure for saturated steam .

Minimum operating temperature: -10°C

Design code: AD-Merkblatt (2000) .

DIMENSIONS (mm)							
SIZE	A	B	C	D	E	F	WEIGHT
DN							Kg
1/2"	200	115	260	190	70	1/2"	4,1
3/4"	200	115	260	190	70	1/2"	4,1
1"	200	115	300	230	70	1/2"	5,2

DESCRIPTION	MATERIAL	
Body	Carbon steel	DIN 17175 / St 35.8
Heads	Carbon steel	EN 10028/2 / P265GH
Inlet/Outlet pipes	Carbon steel	DIN 17175 / St 35.8
Sockets	Carbon steel	ASTM A 105
Internals	Steel	RSt 37-2 / St 35.8

EN10204 3.1B certificate available if requested with the order.