

## ADCATHERM – STS Series SHELL AND TUBE HEAT EXCHANGERS ( Steam to water – Vertical installation )

### DESCRIPTION

The ADCA-STV series steam to water shell and tube heat exchangers are shorter and lighter than the alternative shell and tube exchangers manufactured with smooth pipes. The use of extruded low fin tube, has the advantage that it can improve the external surface and thermal performance.

### MAIN FEATURES

Corrosion-resistant stainless steel low finned tube bundle and shell construction.

Straight tubes for easy cleaning.

Expansion bellow in the shell avoiding excessive tube stresses caused by thermal expansion and contraction.

**OPTIONS:** Horizontal installation  
**USE:** Steam, water, hot condensate and other fluids compatible with the construction.  
**AVAILABLE MODELS:** STSV - Horizontal installation  
 STSH - Vertical installation

**INSTALLATION :** Vertical or horizontal (different Condensate head execution).  
**ORDER REQUIREMENTS** Steam pressure and temperature  
 Inlet and outlet water temperature  
 Water mass flow or heat exchanged.

### CE Marking :

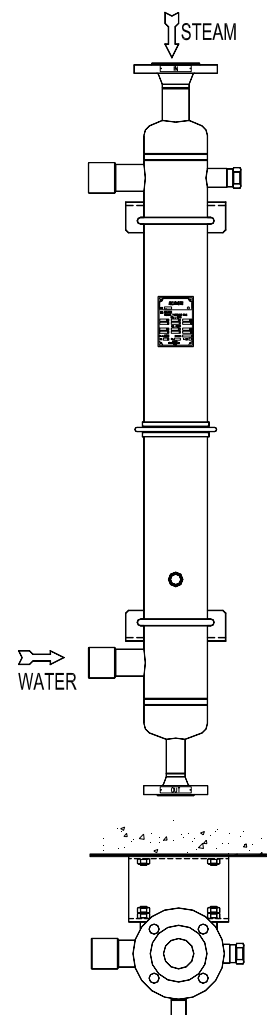
This product have been designed for use on water and steam which are in Group 2 of the PED-European Pressure Equipment Directive 97/23/EC and it comply with those requirements. The product carry the CE mark .

### MATERIALS:

DESCRIPTION	MATERIAL (Stainless Steel)
Tube bundle	WNr. 1.4404
Tubesheets	WNr. 1.4401
Heads and shell	WNr. 1.4401
Inlet/Outlet pipes	WNr. 1.4401
DIN flanges	WNr. 1.4401
ANSI flanges	WNr. 1.4401
Sockets	WNr. 1.4401
Suports	WNr. 1.4301

### GROUP 2 GASES CATEGORY

Rating	Model	Category	
		Tube side	Shell side
DIN PN16	STSV 4.075 to 4.150	1	SEP

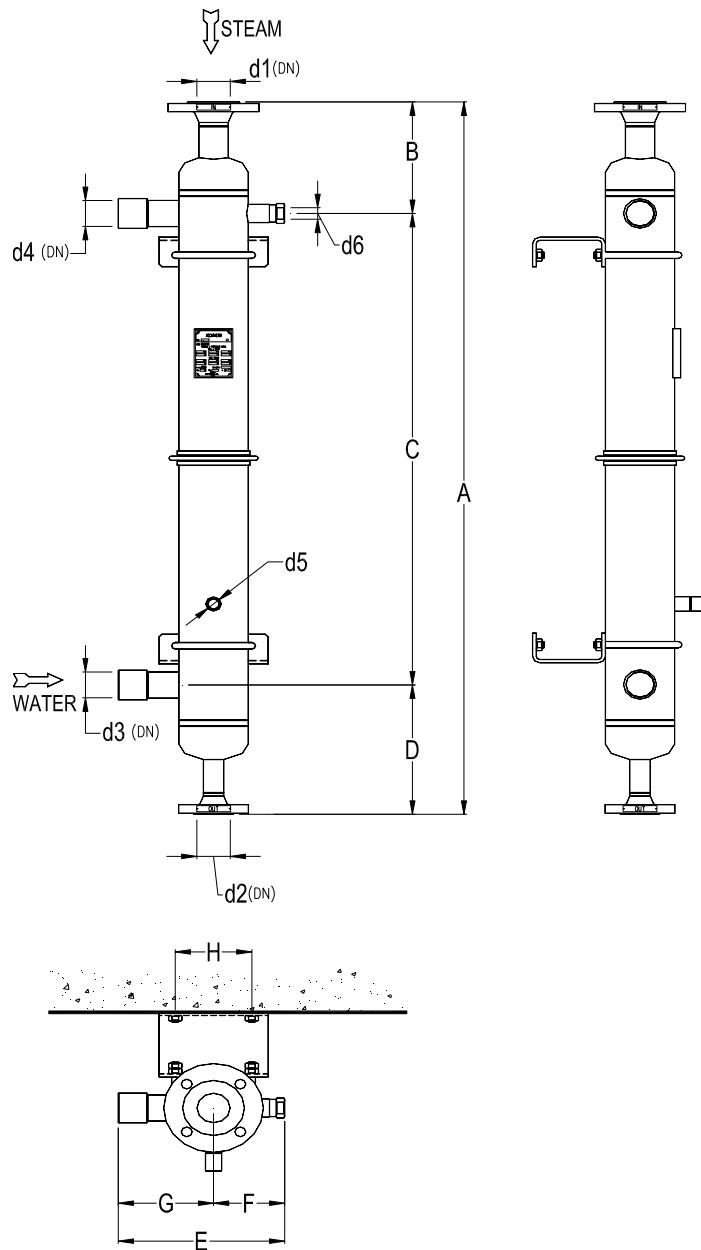


### LIMITING CONDITIONS:

Rating	Pressure bar	Temp. °C
DIN PN16	16	120
	a) 14	198
	13	250
ANSI CL.150	16	120
	a) 14	198

a) PMO - Maximum operating pressure for saturated steam .  
 Minimum operating temperature: -10°C  
 Design code: AD-Merkblatt .

EN10204 3.1B certificate available if requested with the order.



Model	Dimensions										Pipe Connections					
	A	B	C	D	E	F	G	H	I	J	d1	d2	d3	d4	d5	d6
STSV 4.075	1070	207	623	240	274	117	157	116	290	126	40	25	1 1/2	1 1/2	1/2	3/4
STSV 4.100	1320	207	873	240	274	117	157	116	290	126	40	25	1 1/2	1 1/2	1/2	3/4
STSV 4.150	1820	207	1373	240	274	117	157	116	290	126	40	25	1 1/2	1 1/2	1/2	3/4