



INSTALLATION AND MAINTENANCE INSTRUCTIONS

DT - THERMODYNAMIC STEAM TRAPS

DT40 – DT40S – DT42S

GENERAL

1. These instructions must be carefully read before any work involving products supplied by VALSTEAM ADCA ENGINEERING S.A. is undertaken.
2. The installation procedure is a critical stage in a life of a steam trap and care should be taken to avoid damage to the trap or equipment.

Warning!

- At start up, the presence of small particles in the water (dirt, scale, weld splatters, etc) may cause an unperfected closure of the seat. If this occurs, proceed to an accurate cleaning.
- Do not touch the equipment without appropriate protection during working operation because it may conduct heat if the used fluid is at high temperature.
- Before starting maintenance be sure that the equipment is not pressurized or hot.
- The equipments must be used within the working temperature and pressure limits laid down for them, otherwise they may fail (refer to nameplate and/or IS - Information Sheet).
- Do not remove the nameplate attached to the equipment. Serial number and other useful information is stamped on it.

INSTALLATION

1. Before to install remove plastic covers placed on flanges or connection ends. The equipment has an arrow or Inlet/Outlet designations. Be sure that it will be installed on the appropriate direction.
2. Install the steam trap in the point of the system, where the condensate tends to collect. It can be installed in any position.

An ADCA strainer should be installed upstream of the DT40 steam trap.

LIMITING CONDITIONS DT40 / DT40S		LIMITING CONDITIONS DT42S	
PMA: Max. allowable pressure	63 bar	PMA: Max. allowable pressure	63 bar
TMA: Max. allowable temperature	400 °C	TMA: Max. allowable temperature	400 °C
PMO: Max. operating pressure	40 bar	PMO: Max. operating pressure	42 bar
TMO: Max. operating temperature	350 °C	TMO: Max. operating temperature	400 °C

APPLICATION	Min. Working pressure - 0,25 bar
LIMITS	Max. Working back pressure - 80%

MAINTENANCE

1. We recommend that thermodynamic traps are serviced as necessary. Steam traps should be checked periodically (at least yearly), to verify that they are operating correctly and to clean the internal parts and strainer screen.
2. When reassembling make sure that all gasket faces are clean and always use a new gasket.
3. For further information refer to the relevant IS (Information Sheet) or consult our Sales Office.

CE Marking:

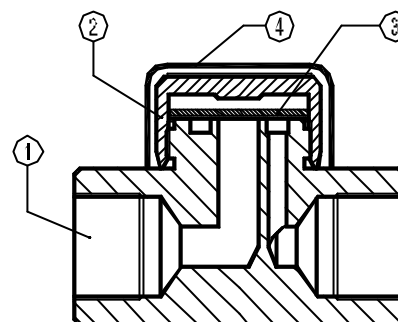
This product have been designed for use on steam and water which are in Group 2 of the PED- European Pressure Equipment Directive 97/23/EC and it comply with those requirements. The product fall within category SEP and must not be CE marked.

PARTS LIST FOR DT 40:

CODE	DESIGNATION	TRAP SIZE DN	POS.NR.	QTY.
A.91.0210.010	Valve disc	3/8"	3	1 set
A.91.0210.015	Valve disc	1/2"	3	1 set
A.91.0210.020	Valve disc	3/4"	3	1 set
A.91.0210.025	Valve disc	1"	3	1 set

Recommended tightening torques:

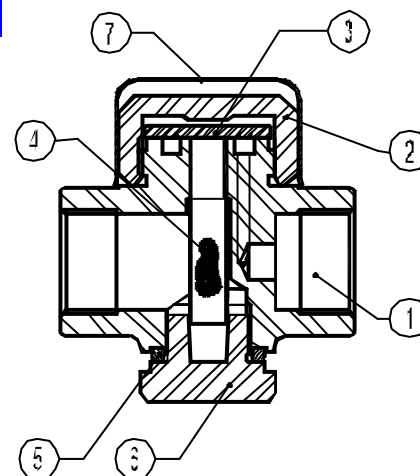
POS.NR.	TRAP SIZE DN	Nm
2	3/8"	140
2	1/2"	190
2	3/4"	190
2	1"	260


PARTS LIST FOR DT 40S:

CODE	DESIGNATION	TRAP SIZE DN	POS.NR.	QTY.
A.91.0210.010	Valve disc	3/8"	3	1 set
A.91.0210.015	Valve disc	1/2"	3	1 set
A.91.0210.020	Valve disc	3/4"	3	1 set
A.91.0210.115	Strainer screen and gasket	3/8"-1/2"-3/4"	4, 5	1 set

Recommended tightening torques:

POS.NR.	TRAP SIZE DN	Nm
2	3/8"	140
2	1/2"	190
2	3/4"	190
6	3/8"	145
6	1/2"	145
6	3/4"	145

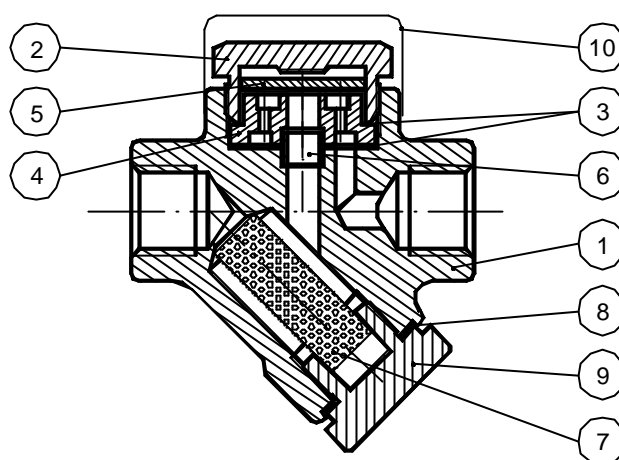


PARTS LIST FOR DT 42S:

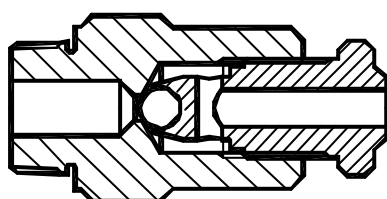
CODE	DESIGNATION	TRAP SIZE DN	POS.NR.	QTY.
A.91.0510.015	Valve disc & gaskets	1/2"	3, 4, 5	1 set
A.91.0510.020	Valve disc & gaskets	3/4"	3, 4, 5	1 set
A.91.0510.025	Valve disc & gaskets	1"	3, 4, 5	1 set
A.91.0510.215	Strainer screen and gasket	1/2"-3/4"	7, 8	1 set
A.91.0510.225	Strainer screen and gasket	1"	7, 8	1 set
A.15.0599.015	Blow down valve	1/2"-3/4"	11	1 set
A.15.0599.025	Blow down valve	1"	11	1 set

Recommended tightening torques:

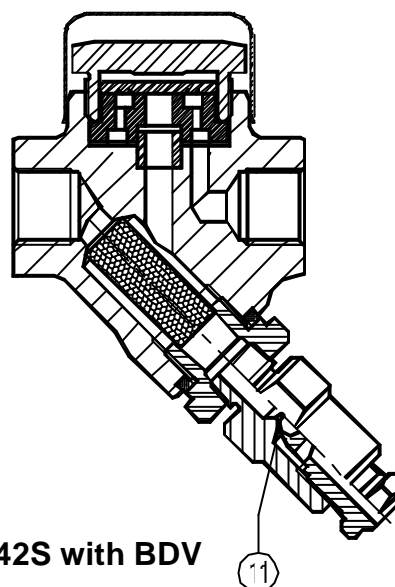
POS.NR.	TRAP SIZE DN	Nm
2	1/2"	70
2	3/4"	90
2	1"	100
9	1/2"	50
9	3/4"	50
9	1"	60
11	1/2"-3/4"	50
11	1"	60



DT42S



BDV – Blow down valve



DT42S with BDV

LOSS OF GUARANTEE: Total or partial disregard of above instructions involves loss of any right to guarantee.